



# SLA

FACTORY ACTIVATED

SLA | READY TO START

REF **6N11A-1B/3A**



**6v**

VOLTAGE - v

**90A**

CCA - A

**11.6Ah**

CAPACITY - Ah (20Hr)

**11Ah**

CAPACITY - Ah (10Hr)

## TECHNOLOGY

- Designed according to AGM technology (Absorbed acid)
- VRLA battery type
- Activated and pre-charged batteries
- Homologated by OEM

## FEATURES

- AGM construction (Absorbed Glass Material)
- VRLA battery (Valve Regulated Lead Acid)
- Factory activated
- Environmentally friendly, spillproof design
- Multi-positional fitment
- Absolutely Maintenance free
- Sealed, no gas emission through venting hole (under normal operation)
- Ready & Easy to use
- No acid handling - Very safe
- Increased power & Extended life
- Extreme vibration resistance

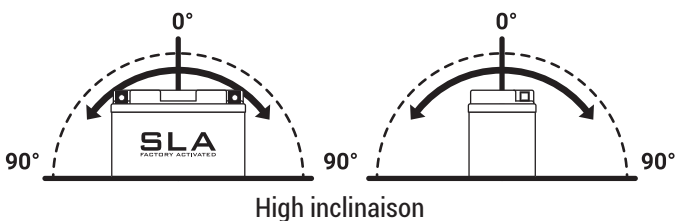
## UPGRADE FOR

DRY 6N11A-1B/3A

## WEIGHT

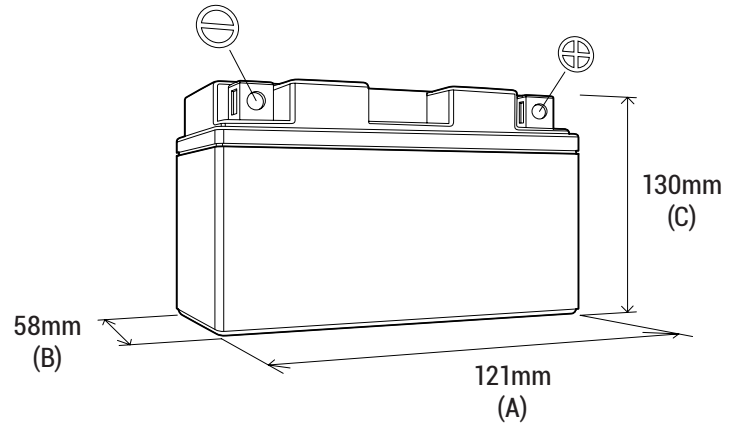
Battery (with acid): Approx 1.76kg

## MOUNTING ANGLE

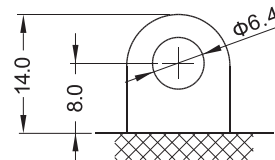


## DIMENSIONS

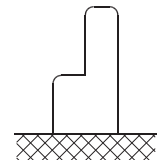
Length (A):	121mm ±2mm
Width (B):	58mm ±2mm
Container height:	130mm ±2mm
Total height (C):	130mm ±2mm



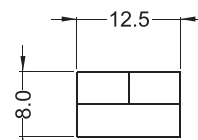
## TERMINALS (mm)



FRONT



SIDE



TOP