

Instruction Manual



Micro LED Indicator

PRODUCT FEATURES

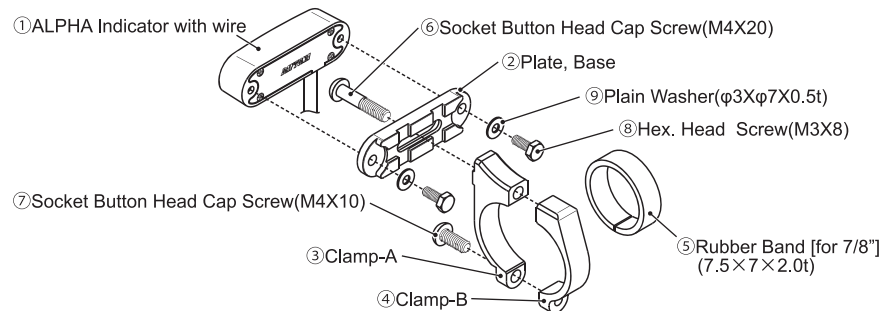
- 5 LED for neutral, hi-beam, oil warning and 2 indicators in compact ABS housing.
- Housing is made of ABS and available in chrome plating and black.
- Mounting clamp is made of aluminum and available in silver and black anodized finish.
- Mounting clamp fits both 7/8"(22.2mm) and 1"(25.4mm) handlebars.
- Both vertical and horizontal installation on the handlebars is possible.

CAUTION

- Read all instructions before use.
- Designed to be used on 12V system vehicle.
(ALPHA does NOT work with a 6V system or battery-less system.)
- ALPHA is for universal use, so it needs wiring for installation.
(ALPHA might not work with some vehicles due to the wire circuit, if you are not sure, consult an experienced dealer.)
(If you are not sure about installation, consult an experienced dealer.)
- Do the wiring referring to the vehicle owner's manual.
- LED is used in ALPHA. Wrong wiring causes no lightening.
- Inspect all installed parts after 100km driving. Periodical inspection is required every 500km(300mile). If anything unusual found while driving, pull over at a safe place to check.

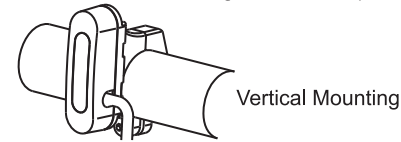
COMPONENTS

① ALPHA Indicator with wire	1	⑥ Socket Button Head Cap Screw (M4×20)	1
② Plate, Base	1	⑦ Socket Button Head Cap Screw (M4×10)	1
③ Clamp - A	1	⑧ Hex. Head Screw (M3×8)	2
④ Clamp - B	1	⑨ Plain Washer (φ3×7×0.5t)	2
⑤ Rubber Band[for 7/8"](7.5×7×2.0t)	1		

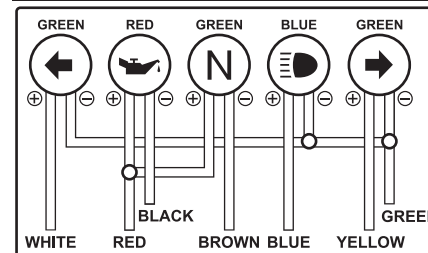


HOW TO INSTALL

- 1 Initially decide the way of mounting, "Vertical Mounting" or "Horizontal Mounting".
- 2 Temporarily install ③Clamp-A and ④Clamp-B onto handlebar using ⑦Socket Button Head Screw(M4X10).※For 7/8(22.2mm) handlebars, use ⑤Rubber Band(7.5X7X2.0t).
- 3 Assemble ②Plate, Base using ⑥Socket Button Head Screw(M4X20) vertically or horizontally as you decided.※Need to match concave-convex of ③Clamp-A and ②Plate, Base.
- 4 Tighten ⑥Socket Button Head Screw(M4X20) and ⑦Socket Button Head Screw(M4X10) by a certain torque.
- 5 Install ①ALPHA Indicator with wire onto ②Plate, Base using ⑨Plane Washer(φ3Xφ7X0.5t) and ⑧Hex. Head Screw(M3X8) and tighten by a certain torque.
- 6 Refer the vehicle owner's manual and connect each wire.
※Cut the wires if needed and refer to [how to connect wires].
※OEM Wiring Color List is only for your reference. Wiring color might be different between the model, country, or model year. Please check with the vehicle owner's manual or voltmeter.
- 7 Check each LED is lightened, if no problem, finish the installation.



WIRING



※how to connect wires

- ① Strip the covering of each wire.
wire from bike
- ② Tangle the core wires. (※Soldering is recommended.)
- ③ Bind the connected area with insulating tape.

[OEM Wiring Color List]

ALPHA	WHITE	RED	BLACK	BROWN	BLUE	YELLOW	GREEN
	Direction Indicator (L)⊕	Warning⊕ & Neutral⊕	Warning⊖	Neutral⊖	Hi-beam⊕	Direction Indicator (R)⊕	Direction Indicator (L&R)⊖ & Hi-beam⊖
HONDA	orange	black/brown: or pink/blue	blue/red	light green/red: or light green	blue	light blue	green
YAMAHA	dark brown	brown	black/red	light blue	yellow	dark green	black
SUZUKI	black	orange	green/yellow	blue	yellow	light green	black/white
KAWASAKI	green	brown/white	blue/red	light green	red/black	gray	black/yellow
H-D all models (96UP)	violet	orange	green/yellow	tan	white	brown	black

※OEM Wiring Color List is only for your reference. Wiring color might be different between the model, country, or model year. Please check with the vehicle owner's manual or voltmeter.