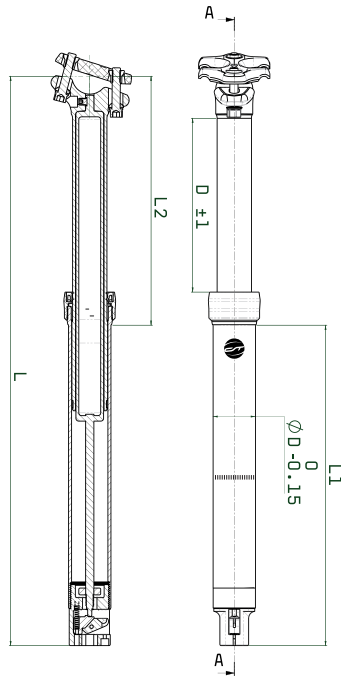




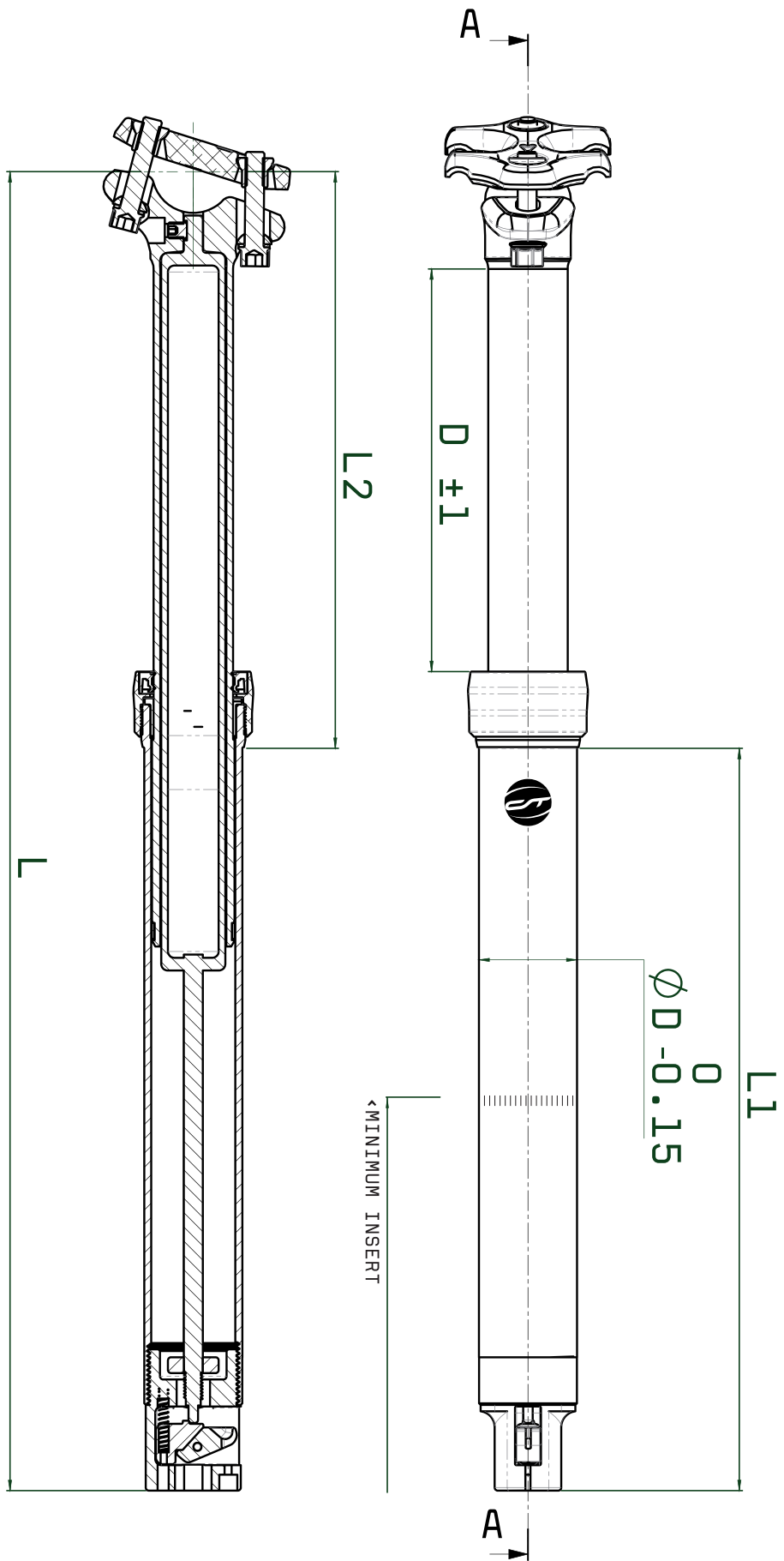
**DROP-A-GOGO**  
USER GUIDE



EN

Hermann Hartje KG  
Deichstr. 120-122  
27318 Hoya

info@contec-parts.de  
www.contec-parts.de

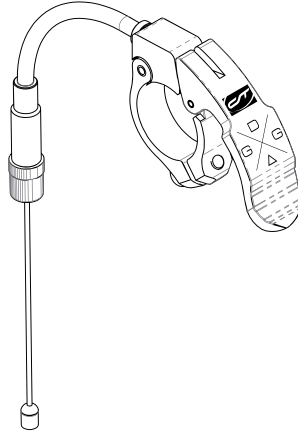


\* see Tab.1

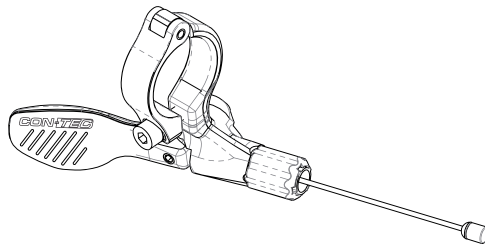


**DROP-A-GOGO**  
Vario-Seatpost

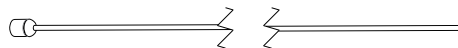
Universal



1x



other  
parts:



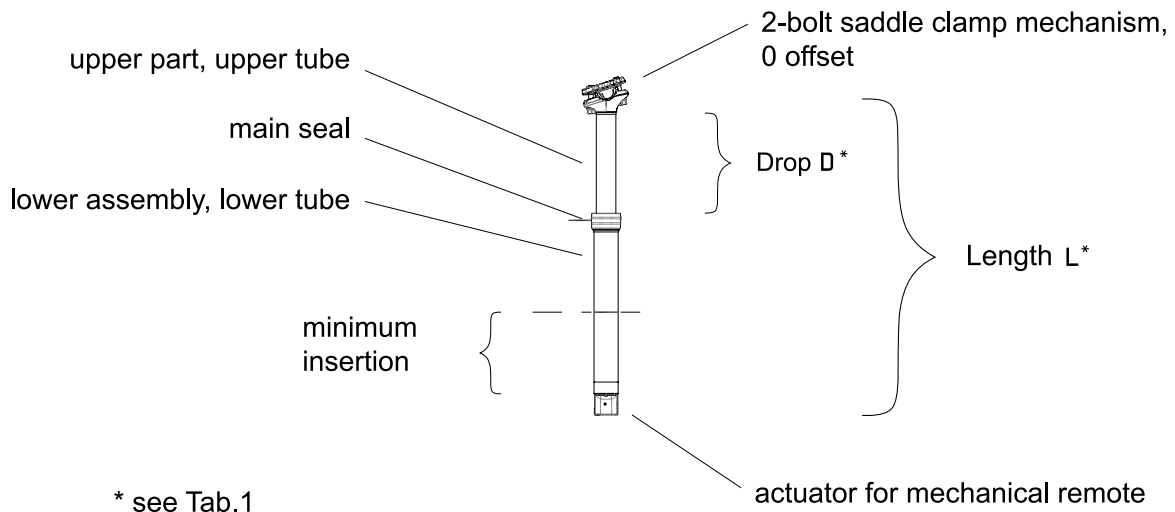
endcap:



We recommend having the vario-seatpost installed and set up by a mechanic.



Congratulations for purchasing a new DROP-A-GOGO Vario-Seatpost with internal routing and remote activation.  
This product allows a remote adjustment of the riding position without having to take the hands off the handlebar. Please read manual thoroughly before installation and riding. We recommend having the product installed by a professional.



\* see Tab.1

Tab.1

Ø DIA	Size	Overall Length (L)	Drop (D)	L1	L2
Ø 30.9	Ø 30.9X440L	463	150	258	205
	Ø 30.9X390L	413	125	233	180
	Ø 30.9X340L	363	100	208	155
Ø 31.6	Ø 31.6X440L	463	150	258	205
	Ø 31.6X390L	413	125	233	180
	Ø 31.6X340L	363	100	208	155

[Key Dim.] mm, [DIA] mm = Diameter



**Operating the Vario-Seatpost:**

Adjusting saddle position when cycling can cause loss of control.

- a) Lowering seat height: Relieve your strain on the saddle. Press the remote control lever and push/sit down on the saddle to desired height. Release the lever.
- b) Raising saddle height: Relieve your strain on the saddle and press the remote lever. Guide seat upward to desired height. Release the lever.



Please thoroughly read user manual before usage/installation of your Vario-Seatpost. We recommend having the seatpost installed and setup by a professional technician. We also recommend to have a training prior to cycling in adventurous conditions. Wrong usage can cause failure, serious accidents and/or the opposite of fun in general.

1. Adjusting saddle position can cause the loss of control.
2. We recommend not to ride with a seatpost that is modified, excessively worn or damaged. Any modifications will void the warranty and may cause damage or malfunction.
3. Loose, damaged or worn parts may cause unexpected malfunction. Periodically check seatpost and all other parts for wear and/or damage. If parts show wear or damage and/or after an accident have all damaged or worn parts replaced.
4. Please make sure that all bolts are cleanly fixed and have been properly fastened within the recommended torque settings before you ride your bike.
5. Over tightening the seatclamp on frame seat tube will affect the height-adjustment functionality of the seatpost. Please mind recommended clamping torque of according manufacturer.

#### Installation:

1. Remove existing seatpost and saddle from the bike before installation.
2. Route/guide cables (inner wire with outercasing) through the frame (see also 4.) and hang the remote control cable end on lever in lower actuator unit (Abb.1).
3. Insert the vaio-seatpost into seat tube with a minimum of 80 mm (minimum insertion mark) and tighten seatpost clamp according to the bicycle/frame manufacturer's recommendations.
4. Route/install the remote cable casing and inner wire in compliance with the cable routing instructions of the bicycle/frame manufacturer. (see also 2.)
5. Install remote control lever (universal or 1-by) to the handlebar, fasten with 3mm hex key. Recommended torque: 1.6 Nm, 14 lbs-in, 16 kgf-cm. Thread cable through the noodle/barrel, pull cable taut and ensure seatpost, cable casing and remote control unit are attached correctly.
6. Adjust the cable so the cable casing, barrel and remote unit are tightly connected. Fasten the screw using a 2mm hex key. Recommended torque: 1.2Nm, 10 lbs-in, 12 kgf-cm
7. Cut excess cable. Apply end cap to preserve wire integrity.
8. Install saddle to seatpost, adjust angle and offset. Tighten bolts with a 5mm hex key. Recommended torque 8~10Nm, 70 lbs-in, 80 kgf-cm. (Abb.2)
9. Before your ride: Check proper setup and get used to remote height adjustment.

Abb.1

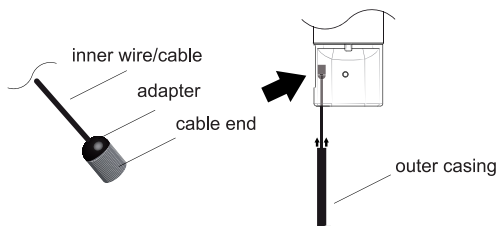
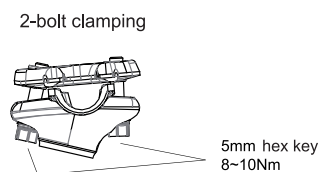


Abb.2



#### Care:

After your ride please clean your vario-seatpost from dust and dirt using a sponge and clean water, mild detergent and a soft cloth. Softly rinse dirt and dust with sponge and clean water. After cleaning check parts for damage caused by rocks or else. Use soft cloth and adequate surface treatment (bike cleaner, reproofing) on clean product only. Wipe dry/polish surface after treatment with a soft cloth.